



# Weightrack



**M/s. WEIGHTRACK INDIA PVT. LTD.** is an ISO 9001:2015 Company. We manufactured world class products to meet our all-customer needs with commitment. Our Company is established in 1999 for manufacturing, sales and service supports of Weighing solutions, Weighing instruments, Industrial Weighing automation, Solar system along with Industrial automation logistics management system, Automatic traffic management system and Toll management system. We are a family of more than 4000 happy clients, which is a motivational number for us to keep up with meeting quality commitment.



PLOT NO. 623 (P), HANSPAL (NEAR PURI CANAL)  
BHUBANESWAR-752101, ODISHA,

0674-2463002, 9040077885

SALES@WEIGHTRACKINDIA.COM

WWW.WEIGHTRACKINDIA.COM

# COMPRESSION LOAD CELL

## DESCRIPTION

➤➤➤ GAD2045 is pancake compression type load cell & it is strain gage based sensor with temperature compensation over 0 to 60°C. This is constructed from SS 17 – 4 PH / Tool Steel suitable for harsh industrial application. It is sealed for IP 67 protection class & it has long life. It is available with integral Button for loading.

## FEATURES

- Available in capacity 50 Kgf to 450 Tf
- Standard output 2.0 mV/V
- Complete environment protection IP 67 class.
- Optional IP 68 available on request.
- Dual bridge configuration available on request.

## PERFORMANCE SPECIFICATION

➤➤➤ Standard Capacities	kgf-50, 100, 200, 500, 750, 1000. Tf-1.5, 2, 3, 5, 7.5, 10, 15, 20, 30, 50, 60, 75, 100, 150, 200, 300, 450
➤➤➤ Excitation Voltage	10 VDC- Maximum 15 VDC
➤➤➤ Nominal Output	2.0 m V/ V
➤➤➤ Non-Linearity	< ±0.1% FSO (Full Scale Output)
➤➤➤ Hysteresis	< ±0.15% FSO
➤➤➤ Non-Repeatability	< ±0.1% FSO
➤➤➤ Creep (30 minutes)	< ±0.04% FSO
➤➤➤ Zero Balance	±1.0% FSO
➤➤➤ Input Resistance	390 ± 10 Ohms up to 1000 Kgf 770 ± 20 Ohms 1.5 T & Above
➤➤➤ Output Resistance	390 ± 10 Ohms up to 1000 Kgf 700 ± 7 Ohms 1.5 T & Above
➤➤➤ Insulation Resistance	> 1000 Mega Ohms at 50 VDC
➤➤➤ Safe Overload	150% of Rated Capacity
➤➤➤ Ultimate Overload	200 % of Rated Capacity
➤➤➤ Temp. Compensated Range	0-60 Celsius
➤➤➤ Temperature Effect on Output	< 0.005% FSO/ 0C
➤➤➤ Temperature Effect on Zero	< 0.005% FSO/ 0C
➤➤➤ Deflection	< 0.4 mm at FSO
➤➤➤ Environmental Protection Class	IP 67

## Applications

- Compression Testing
- Tablet Hardness Tester
- Low profile floor scale
- Force & Impact Testing
- Tank, Silo/Hoper weighing
- Robotics & Automation



**MODEL : GAD2045 Series**



PLOT NO. 623 (P), HANSPAL (NEAR PURI CANAL) BHUBANESWAR-752101, ODISHA,

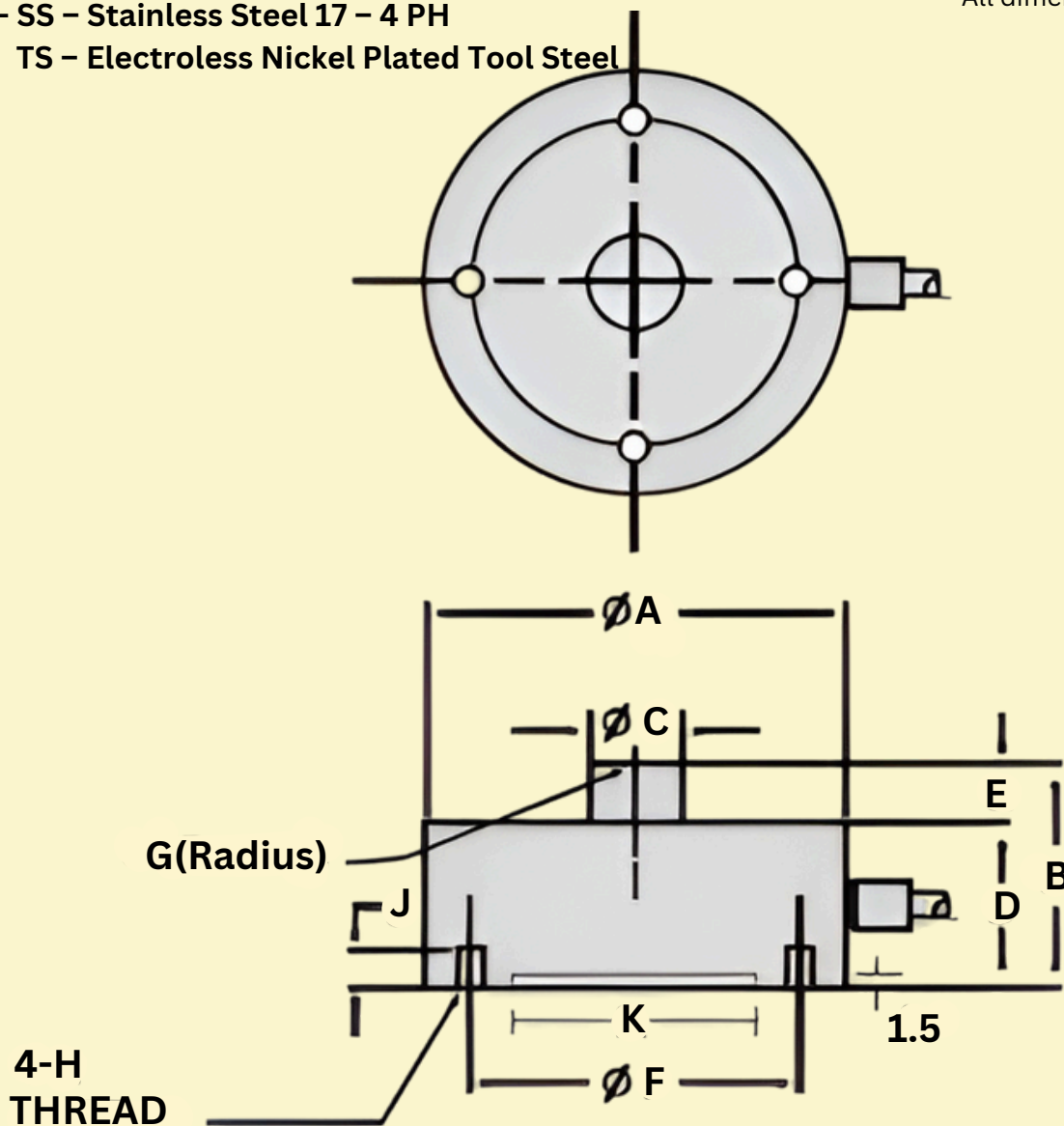
0674-2463002, 9040077885   
SALES@WEIGHTRACKINDIA.COM   
WWW.WEIGHTRACKINDIA.COM 

Capacity(Tf.)	A	B	C	D	E	F	G	H	J	K	MOC*
50 – 1000 Kgf	50	30	13	25	5	42	150	M4 X 0.7	6	34	SS
1.5 – 7.5 Tf	90	35	23	30	5	70	150	M6 X 1.0	8	58	SS
10, 15, 20 Tf	115	45	32	40	5	90	150	M8 X 1.25	10	75	SS
30, 50 Tf	155	55	44	50	5	125	150	M12 X 1.5	14	103	SS
60, 75 Tf	205	67.5	65	60	7.5	165	430	M16 X 1.5	20	145	SS
100, 150 Tf	280	77.5	100	70	7.5	222	430	M20 X 1.5	25	180	TS
200 Tf	305	87.5	120	80	7.5	241	430	M24 X 2.0	25	203	TS
300 Tf	394	97.5	140	90	7.5	322	430	M24 X 2.0	25	270	TS
450 Tf	450	107.5	150	100	7.5	390	430	M24 X 2.0	25	330	TS

All dimensions are in mm.

\*MOC :- SS – Stainless Steel 17 – 4 PH

TS – Electroless Nickel Plated Tool Steel



**MODEL : GAD2045 Series**

**Blueprint**

0674-2463002, 9040077885

SALES@WEIGHTRACKINDIA.COM

WWW.WEIGHTRACKINDIA.COM



PLOT NO. 623 (P), HANSPAL (NEAR PURI CANAL)  
BHUBANESWAR-752101, ODISHA,

# OUR CUSTOMERS



## ALL BRANCHES

| NEW DELHI | | HYDERABAD | | KOLKATA | | RANCHI | | INDORE | | JHARSUGUDA | | BARBIL |



PLOT NO. 623 (P), HANSPAL (NEAR PURI CANAL)  
BHUBANESWAR-752101, ODISHA,

0674-2463002, 9040077885

SALES@WEIGHTRACKINDIA.COM

WWW.WEIGHTRACKINDIA.COM